

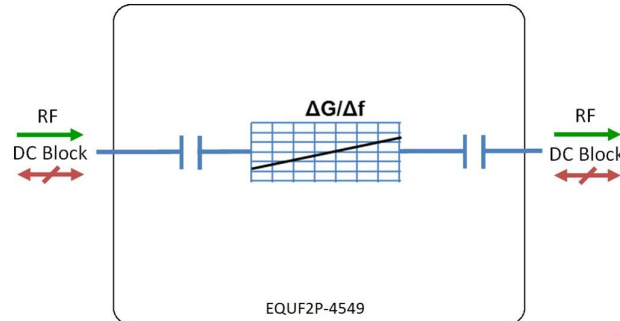


Model Number:  
**EQUF2P-4549**

RF Components

# IF-Band Equaliser

## 50 - 90 MHz



- DC blocked between both ports
- 3dB positive slope

Available with RF connector options:

- 50 Ω SMA
- 50 Ω N-type
- 50 Ω BNC
- 75 Ω BNC
- 75 Ω F-type.

### Compact

Housed in rugged compact enclosure

### Flexible Mounting

Tapped screw & through hole mounting options



**50 - 90 MHz**  
Operating frequency range.

RF Parameters						
EQUF2P-4549	S5S5	N5N5	B5B5	B7B7	F7F7	
Frequency Range	50 - 90 MHz					
RF Connectors	50Ω SMA	50Ω N-Type	50Ω BNC	75Ω BNC	75Ω F-Type	
Insertion Loss @70 MHz(dB)	2.5±0.25	2.5±0.25	2.5±0.3	2.5±0.5	2.5±0.5	
Slope Positive (dB)	3 ±0.5	3 ± 0.5	3 ± 0.6	3 ± 0.7	3 ± 0.8	
Input Return Loss (dB)	Typ.	18	18	16	14	12
	Min	14	14	12	11	8
Output Return Loss (dB)	Typ.	18	18	16	14	12
	Min	14	14	12	11	8

### Broadcast



### Marine Oil & Gas



### SNG & VSAT



### Satellite Teleport





RF Components

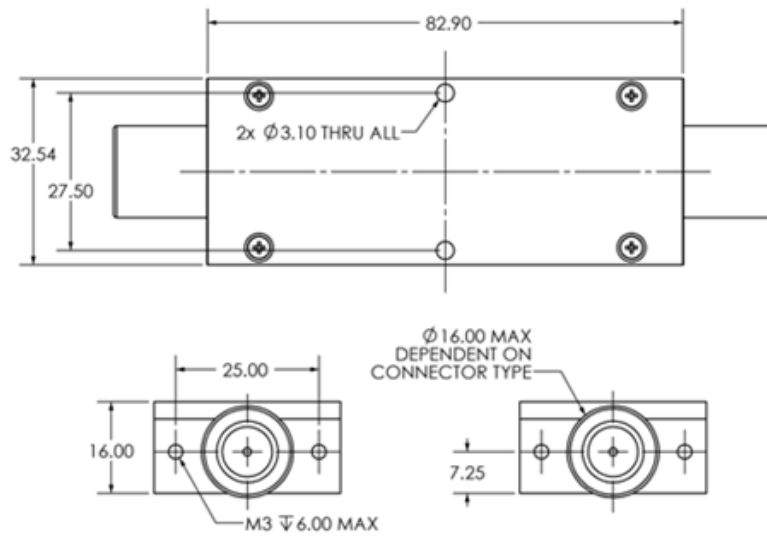
Model Number:  
**EQUF2P-4549**  
IF-Band Equaliser

Environmental		
Operating Temperature		0°C to +45°C
Storage Temperature		-20°C to +75°C
Location		Indoor use Only
Humidity	Max	85% non-condensing
Altitude	Max	10,000 feet

Max Operating Parameters	
Input RF Power	+16dBm (40mW)
DC Voltage	35V on any RF port
DC Current	N/A

**!** Operation beyond these limits may cause instantaneous and permanent damage.

### Physical Dimensions (mm)



Note: The specification is subject to regular reviews and will be updated from time to time as part of our continuing product development and improved specification accuracy.

ETL SYSTEMS LIMITED  
Coldwell Radio Station  
Madley  
Hereford  
England HR2 9NE

TELEPHONE  
+44 (0)1981 259020  
  
EMAIL  
info@etlsystems.com

FACSIMILE  
+44 (0)1981 259021  
  
WEB  
www.etlsystems.com

